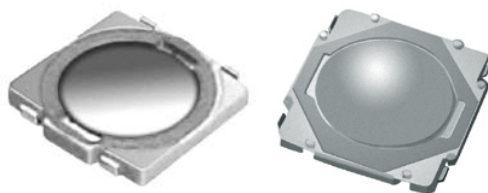


TACT switch

Surface mount Type (Ultra Compact Type)

MODEL NO.
1197 Series



Features

Surface mount type tact switch.

Dust & Moisture protective structure.

Offering compact, Light weight.

Applications

Operating switches in all types of electronic equipment

Office devices, Sound devices, MP3P, PDA set. Camcoders, Headphone stereo set.

Operating signal input switches, etc.

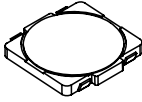
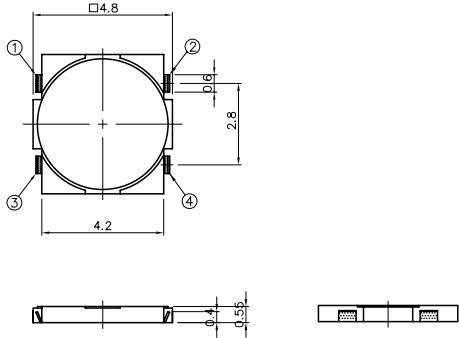
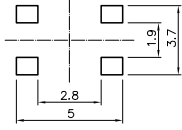
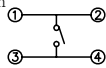

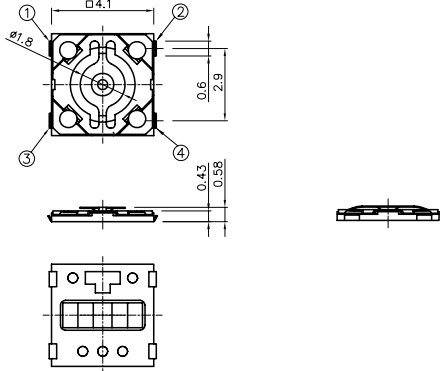
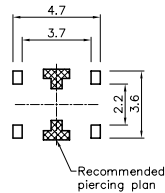
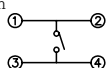

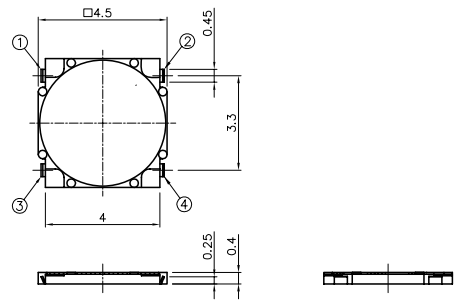
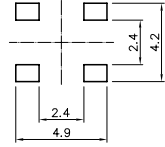


Main Specifications

	1197	1198	1199
Rating	50mA 12V DC	20mA 15V DC	50mA 12V DC
Travel	0.2±0.1mm		
Contact Resistance	100 mΩ max.		
Operating temperature	-20℃ ~ 70℃(45% ~ 85% RH)		
Bounce	10 m sec max.		
Operating Force	160gf (except 1198)	250gf	350gf (only 1198)
Operating Life	100,000 Cycles		

Subsidiary Production Code

Code number	Operating direction	Terminal	Hight	Drawing
1197	Vertical	J-bent	0.55mm	1
1198			0.58mm	2
1199			0.4mm	3

No.	3D	Dimension Type	P.C.B pattern dimension
1		<p style="text-align: center;">1197</p> <p>Unit : mm</p> 	 <p>Circuit Diagram</p> 
2		<p style="text-align: center;">1198</p> <p>Unit : mm</p> 	 <p>Circuit Diagram</p> 
3		<p style="text-align: center;">1199</p> <p>Unit : mm</p> 	 <p>Circuit Diagram</p> 