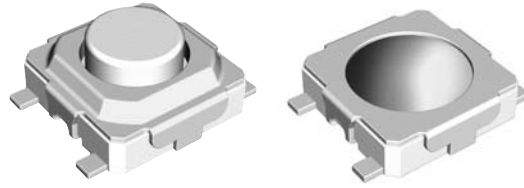


TACT switch

Surface mount Type (3.3 X 3.3 mm)

MODEL NO.
1184 Series



Features

Surface mount type tact switch.
Outline dimension 3.3mm x 3.3mm and 1.5mm height.
Dust & Moisture protective structure.

Applications

Various controls for devices in automotive.
Controls for image/sound devices, radio equipment.
Operating signal input switches, etc.

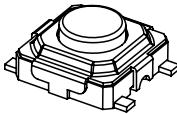
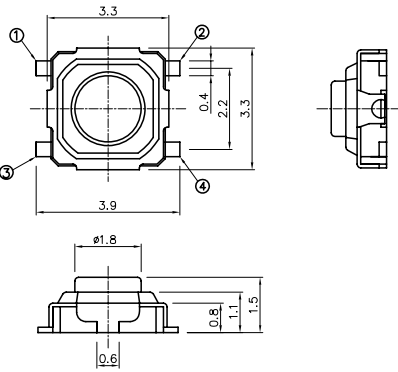
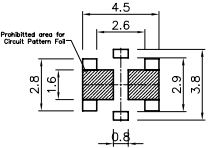
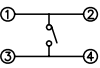
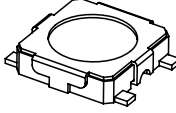
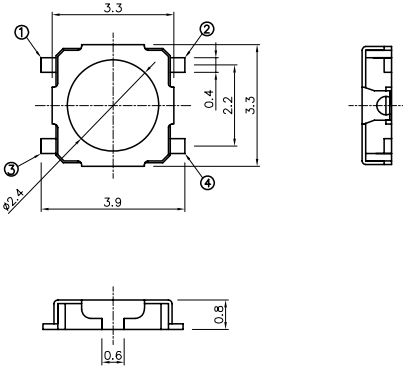
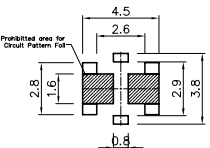


Main Specifications

Rating	50mA 12V DC	
Travel	0.13±0.1mm	
Contact Resistance	100 mΩ max.	
Operating temperature	-20°C ~ 70°C(45% ~ 85% RH)	
Bounce	10 m sec max.	
Operating Force	160gf	250gf
Operating Life	100,000 Cycles	

Subsidiary Production Code

Code number	Terminal Shape	Knob	Ground Cover	Drawing
1184	Flat	With	With	1
1184N		Without		2

No.	3D	Dimension Type	P.C.B pattern dimension
1		<p style="text-align: center;">1184</p> <p>Unit : mm</p> 	 <p style="text-align: center;">Circuit Diagram</p> 
2		<p style="text-align: center;">1184N</p> <p>Unit : mm</p> 	 <p style="text-align: center;">Circuit Diagram</p> 