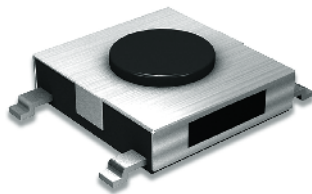


TACT switch

Surface mount Type (4.5 X 4.6 mm)



MODEL NO.
1127 Series

Features

Surface mount type tact switch.

Outline dimension 4.5mm x 4.6mm and 1.5 mm or 4.3mm height.

Applications

Operating switches in all types of electronic equipment

Office devices, Sound devices, MP3P, PDA set. Camcoders, Headphone stereo set.

Operating signal input switches, etc.

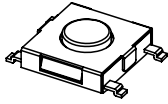
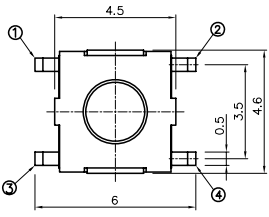
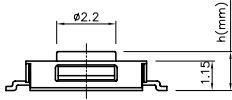
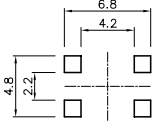
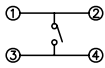
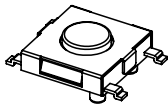
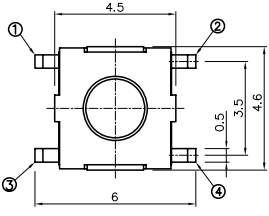
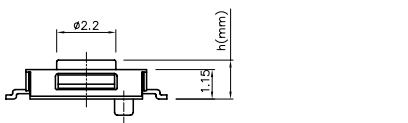
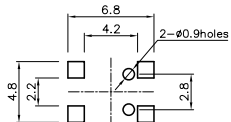


Main Specifications

Rating	50mA 12V DC	
Travel	0.2±0.1mm	
Contact Resistance	100 mΩ max.	
Operating temperature	-20℃ ~ 70℃(45% ~ 85% RH)	
Bounce	10 m sec max.	
Operating Force	160gf	250gf
Operating Life	100,000 Cycles	50,000 Cycles

Subsidiary Production Code

Code number	Terminal Shape	Guide boss	Drawing
1127□	S-bent	Without	1
1127E□		With	2

No.	3D	Dimension Type	P.C.B pattern dimension					
1	<p style="text-align: center;">1127□</p> <p>Unit : mm</p>    <table border="1" data-bbox="1060 226 1172 315"> <tr> <td>□</td> <td>h</td> </tr> <tr> <td>-</td> <td>1.5</td> </tr> <tr> <td>A</td> <td>4.3</td> </tr> </table>	□	h	-	1.5	A	4.3	
		□	h					
-	1.5							
A	4.3							
<p>Circuit Diagram</p> 								
2	<p style="text-align: center;">1127E□</p> <p>Unit : mm</p>    <table border="1" data-bbox="1060 696 1172 786"> <tr> <td>□</td> <td>h</td> </tr> <tr> <td>-</td> <td>1.5</td> </tr> <tr> <td>A</td> <td>4.3</td> </tr> </table>	□	h	-	1.5	A	4.3	
		□	h					
-	1.5							
A	4.3							
<p>Circuit Diagram</p> 