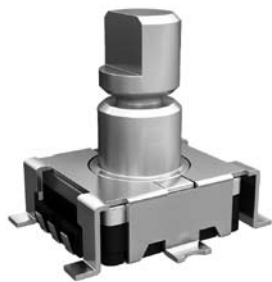


# ENCODER switch

**Multy Fuction Snap-in & Surface mount Type**

MODEL NO.  
**SM006 Series**



## Features

Incremental type

A push on switch with a clear-click operational feel

An encoder with detents and excellent operating feeling

## Applications

Menu selection and input for Audio Visual Equipment

Level controls for car audio & navigation system

Portable audio devices, Personal digital assistant.

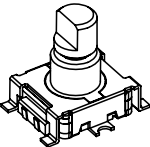
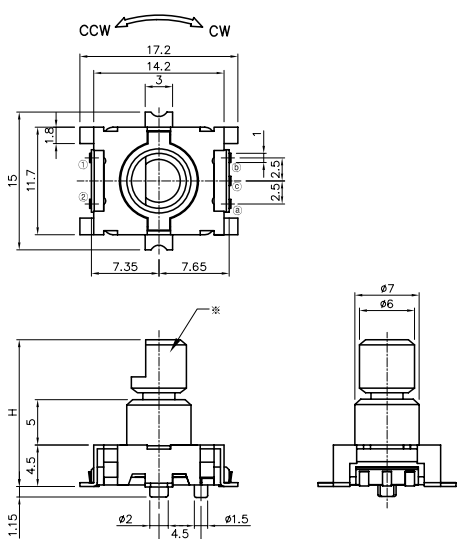
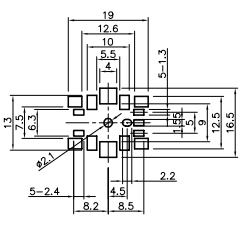
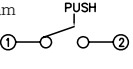
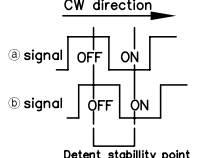
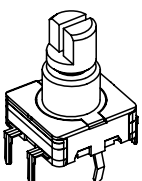
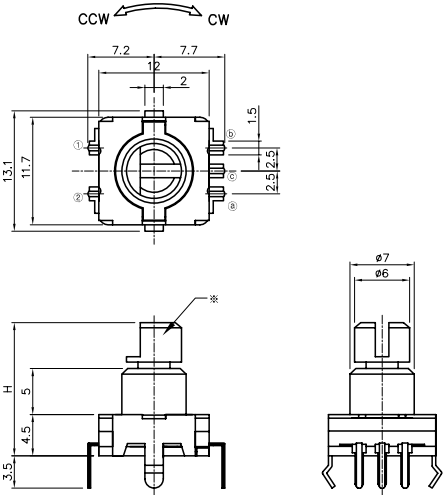
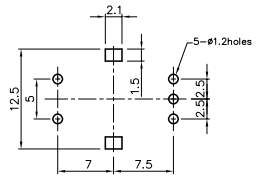
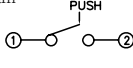
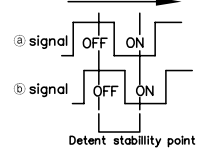
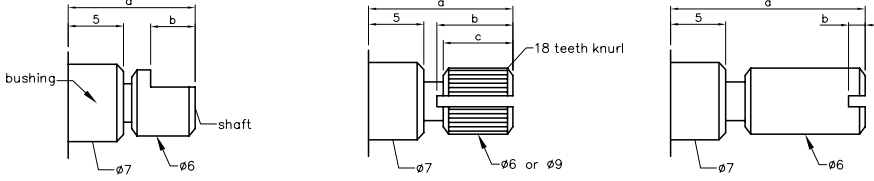


## Main Specifications

	Encoder	Push on
Rating	10mA 5V DC	0.5mA 16V DC
Detent(pulse) /Travel	30 detent (15 pulses)	0.25mm
Contact Resistance	1 Ω max.	100mΩ max.
Operating Force	100gf	350gf (□□ : 35) without push on switch (□□: 00)
Operating Life	15,000 Cycles	20,000 Cycles

## Subsidiary Production Code

Code number	Terminal shape	Guide Boss	Drawing
SM006GJ □□	SMT	With	1
SM006BD □□	Snap-in	Without	2

No.	3D	Dimension Type	P.C.B pattern dimension
1		<p>Unit : mm</p> 	 <p>Circuit Diagram</p>  <p>CW direction</p>  <p>Detent stability point</p>
2		<p>Unit : mm</p> 	 <p>Circuit Diagram</p>  <p>CW direction</p>  <p>Detent stability point</p>
<b>Standard Dimensions Shaft</b>			
 <p>Custom applications are available for the shaft specifications.</p>			